



High Current DC SMPS

Mains to low voltage high current DC Power Supply

Models:

5V2ASMPs / 5V20ASMPs / 12V10ASMPs / 12V30ASMPs / 24V15ASMPs



Features and Specifications


- Compact DC SMPS
- Fixed Output Voltage
- Can operate from USA/EU/UK mains supply

This range of DC power PSUs offer a compact and low cost solution for a high current low voltage source powered from the mains. They are a great alternative to SLA batteries for projects which require large DC currents. The SMPS units have built in protection from overload and short circuit and can be powered from either 230V European mains, or 120V USA mains voltages. Please check the input voltage selection switch is correct for your location before connecting power.

This datasheet covers various models which may have different connector layouts. Please check connections carefully before use.

Connections

Warning: this device requires a mains connection which should only be carried out by suitably qualified persons.

- L** Mains input **LIVE** connection
- N** Mains input **NEUTRAL** connection
-  Mains input **EARTH** connection

- COM / V-** Power output negative or GND
- V+** Power output positive

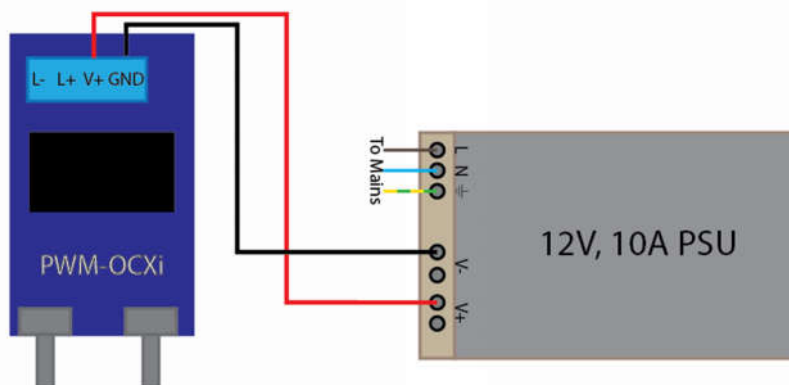


Figure 1: Example connections to our Power Pulse Modulators

Controls

adj Preset adjustment for calibrating the output voltage
115V/230V Input voltage selection switch. Use this to set the correct voltage based on your country's mains voltage.