
High Voltage Spark Coil

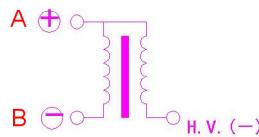
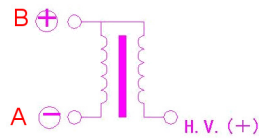
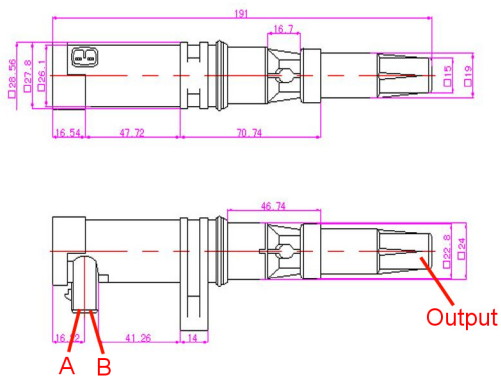
Inductive ignition coil

HV-SC20K

Description

Automotive inductive ignition coil with compact dimensions particularly suitable for static ignition of multi cylinder engines

Installation



Technical Data

Measuring conditions: (Operating voltage): 14V
Frequenz.....66HZ
Rise time secondary voltage.....40.0us
Spark energy.....53MJ
Primary inductance.....1.7MH

Every current.....0.9-1.0A
Secondary voltage (under 1Mohm)...24.0KV
Primary current.....10.88A/2.88MS
Primary resistance.....0.48 Ω
