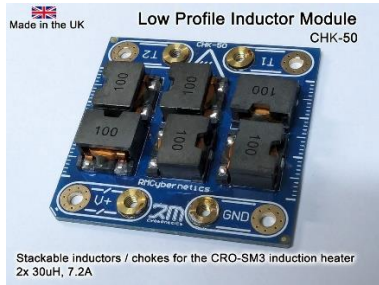


Low Profile Inductor Module CHK-50

Stackable inductor network module for the CRO-SM3 range



Features and Specifications

- Two strings of inductors
- Only 50 x 50 x 8mm
- 30 μ H per inductor string
- Up to 7.2A continuous current

Example Applications

- Induction Heating
- Power Filter
- SMPS

Typical Usage

The CHK-50 is designed to work with our CRO-SM3 stack of modules to provide the necessary choke function while taking up minimal space.

Connections

The CHK-50 can simply be added to the modular stack of CRO-SM3 components. The electrical connections to the induction coil and drive circuit will be made via the mounting screws used at T1/T2. The connection for power to the work coil is made at the M3 threaded insert marked V+ on the PCB (see figure 3). The internal wiring and connections to the inductors can be seen below in figure 1.

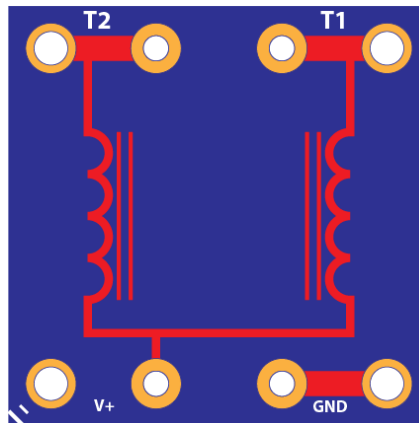


Figure 1: Internal Wiring Diagram

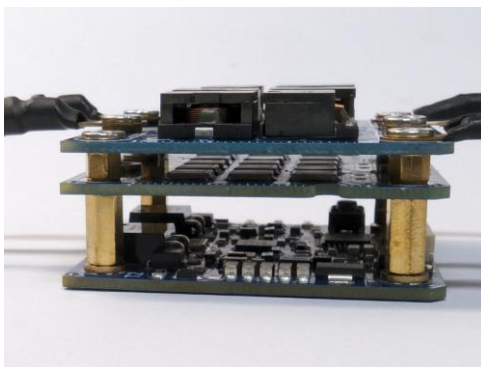


Figure 2: Example stack, side view

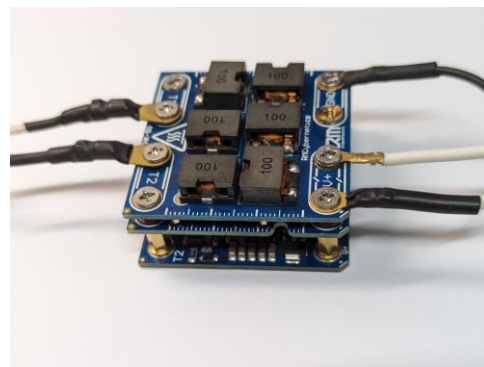
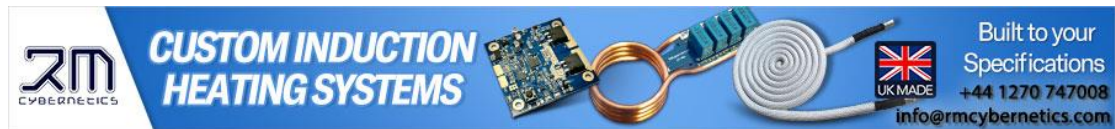


Figure 3: Example stack showing connections for power and coil



We can make custom coils, and help integrate it into your project. Call or email to discuss your requirements.

Tel: 01270 747008 – Email: info@rmcybernetics.com

Related Products

[Micro Induction Heater](#)

[Modular MMC Tank Capacitors](#)

[Induction Expansion Module](#)

[Induction Coil Mount](#)

[Micro JST Cables](#)

[Custom Induction Coils](#)

[Litz Wire](#)

[Ferrite Powders](#)

[Non-magnetic Mounting Kit](#)

[100uH 15A Choke](#)

CRO-SM3

DT-200

EXP-THERM1

IHC-50

CAB-JSTGH

IHC-CUST

LITZ

FP-NIZNMNZN

NMMK-M3

CHK-15A

The information in this document is provided as-is and is not guaranteed to be free of errors.

RM Cybernetics LTD

31 Lawton Road

Alsager

Cheshire

ST7 2AA

United Kingdom

01270 747 008 (+44 1270 747 008)