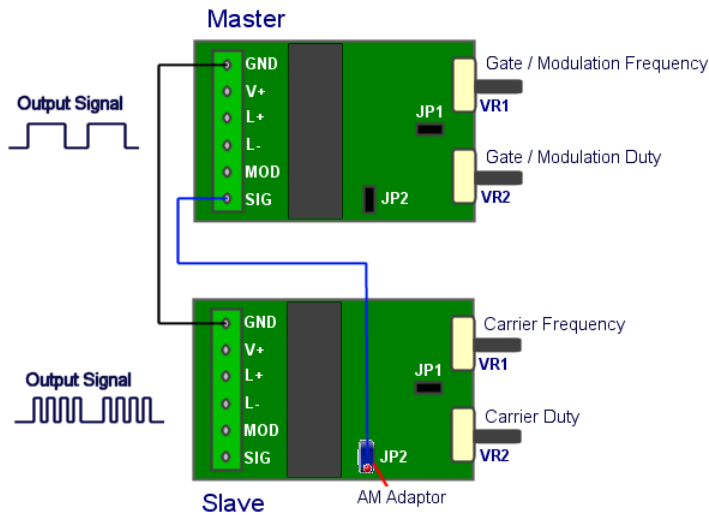


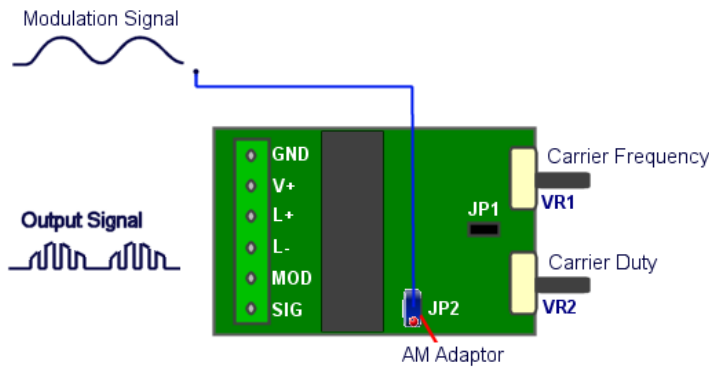
AM Adaptor for Power Pulse Modulator - PWM-OC10A

Using the AM Adaptor



Linking Multiple Units

The AM Adaptor can be used with a single PWM-OC10A or to link multiple modules. Two modules can be linked so that one signal is modulated by the other as shown in the diagram. The jumper JP2 is removed from the slave device and is replaced with the adaptor. The adaptor's lead is then connected to the 'SIG' output of the primary module.



Amplitude Modulation

With the adaptor placed on JP2, the amplitude of the output pulses can be adjusted by applying different voltages to the lead of the AM Adaptor. The voltage input range is typically 0-5V, with 0V disabling the modules output and 5V enabling full output. You can adjust this voltage within this range for fully variable amplitude control. You can also apply

other varying signals such as audio which will cause the output to be modulated by the incoming signal.